

CABLE 336 RF: SMP R/A JACK + SMA STRAIGHT BULKHEAD JACK WITH O-RING RATED TO IP67/68 + Ø1.37MM CABLE

SPECIFICATIONS :

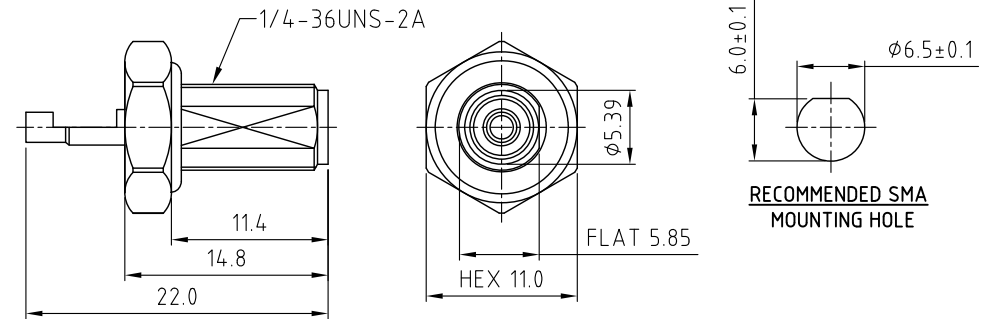
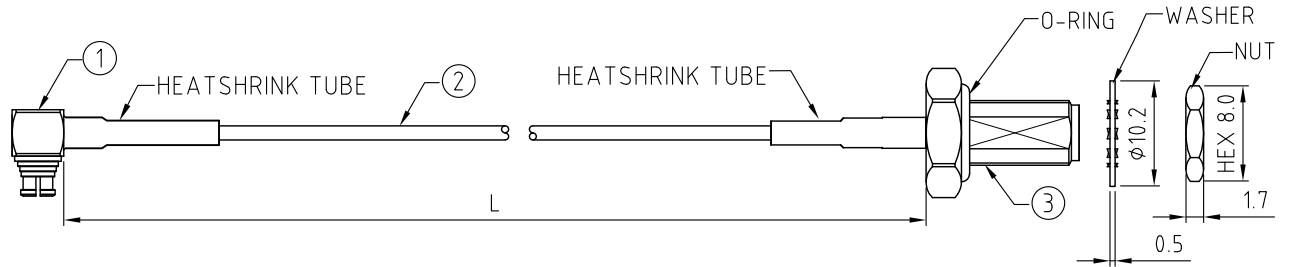
1. SMP RIGHT ANGLE JACK, P/N: RFCT-SMP001-F37.
2. Ø1.37MM COAXIAL CABLE, COLOR: BLACK.
3. SMA STRAIGHT BULKHEAD JACK WITH O-RING RATED TO IP67/68, P/N: RFCT-SMA002-F78.

ENVIRONMENTAL:

- A. BULKHEAD MOUNTED CONNECTOR (RFCT-SMA002-F78) TESTED TO THE FOLLOWING SPECIFICATION:
- i. IP6X - DUST TIGHT - NO PARTICLE INGRESS.
  - ii. IPX7 WATERPROOF FOR 30 MINUTES UP TO 1 METER UNDERWATER.
  - iii. IPX8 WATERPROOF FOR 48 HOURS AT 1 METER UNDERWATER.
  - iv. IPX8 WATERPROOF FOR 12 HOURS AT 5 METERS UNDERWATER.
  - v. PRESSURE TEST - 1 BAR FOR 10 SECONDS.

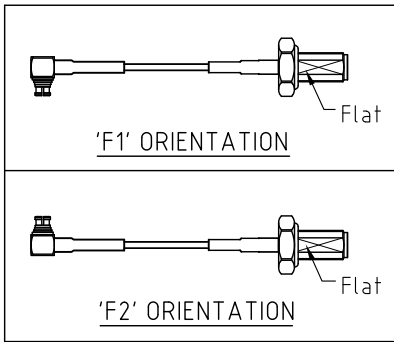
NOTES:

1. THE ORIENTATION OF CONNECTORS ON DRAWING IS FOR REFERENCE ONLY, IF THE ORDER IS LEFT BLANK THE CONNECTOR WILL NOT HAVE FIXED ORIENTATION.
2. FIXED ORIENTATION IS SUGGESTED FOR CABLE LENGTH 50MM TO 100MM. PLEASE SPECIFY THE FIXED ORIENTATIONS FROM THE ORDER CODE (F1, F2, ETC)
3. CONTACT GRAD CONN IF THE ORIENTATION YOU REQUIRE IS NOT SHOWN.
4. WORKING FREQUENCY RANGE: DC-3GHz.



SMA DETAIL DRAWING

RECOMMENDED SMA MOUNTING HOLE



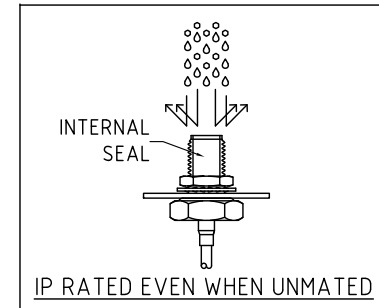
HOW TO ORDER  
CABLE 336 RF - XXXX - XX - X - 1

"L" LENGTH IN MM:  
eg: 100MM = 0100  
(MIN. 0050-MAX.2000)  
STANDARD = 0100, 0150, 0200)  
Tolerance: 50mm: ±2mm  
51-200mm: ±5mm.  
201-500mm: ±7mm.  
>500mm: ±10mm.

CABLE SIZE:  
1 = Ø1.37MM CABLE, COLOR: BLACK

WASHER AND NUT OPTIONS:  
BLANK = SEPARATELY PACKED (STANDARD)  
A = ALL ASSEMBLED WITH CONNECTOR

ORIENTATION OPTIONS:  
BLANK = DOES NOT HAVE A FIXED ORIENTATION  
F1 = SMP CONNECTION DOWN (L=50-200MM)  
F2 = SMP CONNECTION UP (L=50-200MM)  
(SEE NOTES 1, 2, 3 AND DIAGRAMS FOR MORE INFORMATION)



REV. DATE & DRN  
10 27/02/19 - NEW RELEASE  
11 17/03/24 - CC  
ADD IP RATING VIEW

Scale: NTS	THIRD ANGLE	Unstated .X .XX .XXX ANGLES	Tolerances: N/A N/A N/A N/A
Drawn: CC			
App'd: XXX	Title CABLE ASSEMBLY		
Date: 17 MAR. '24	Revision: 1.1	Unit: mm	



IP Rated RF Products

www.gradconn.com

THIS DRAWING IS CONFIDENTIAL AND MUST NOT BE COPIED OR DISCLOSED WITHOUT WRITTEN CONSENT

Type: Cable 336 RF
CABLE 336 RF
Drawing Number:
Sheet 1 of 1
Drawing © E and O E